

PRODUCTION

B

C

2024/06/26

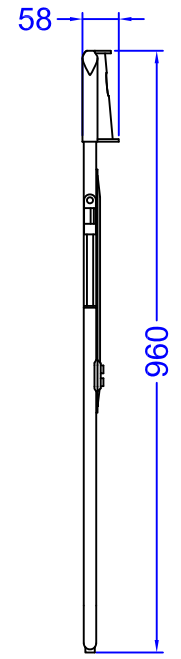
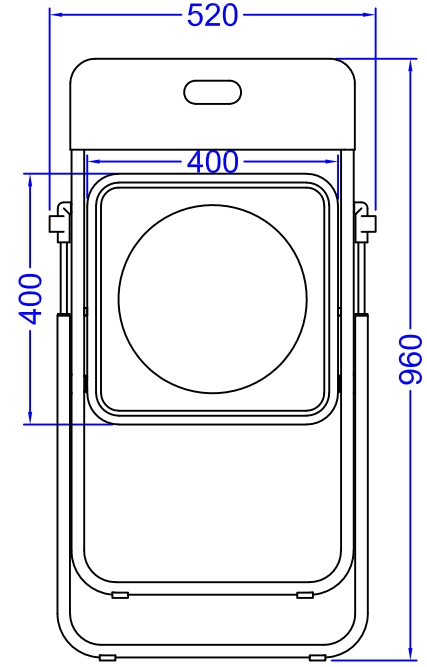
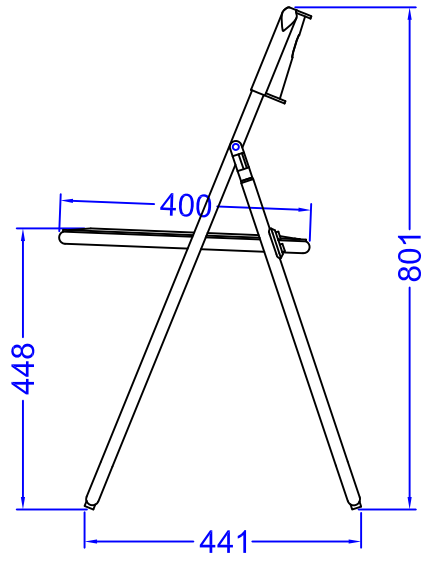
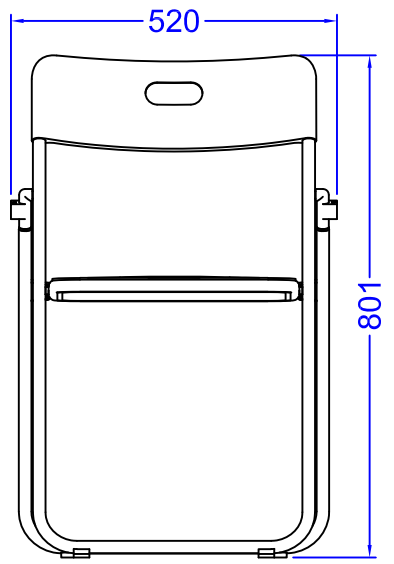
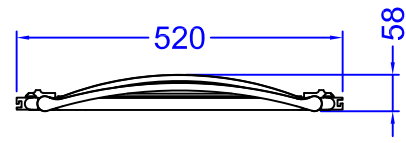
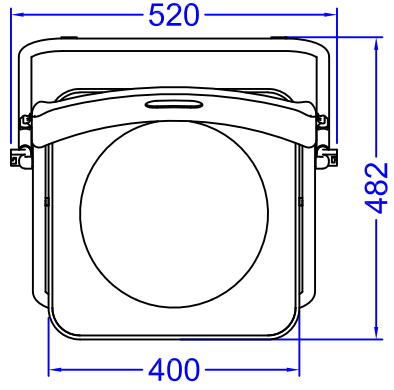
D

A

B

C

D



Seat Size : 400 × 400

△				
△				
△				
△				



Folding\_Chair

FCH-BK

					John Yamagata	John Yamagata	
					Drafting	Designing	Check

AKIRA CO.,LTD.

Drawing Number

--

1

2

3

4

5

6